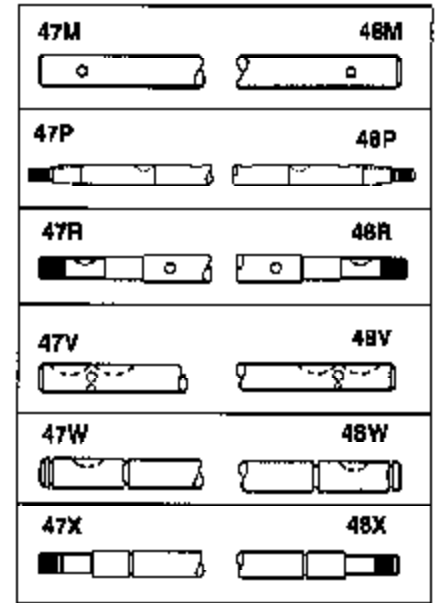
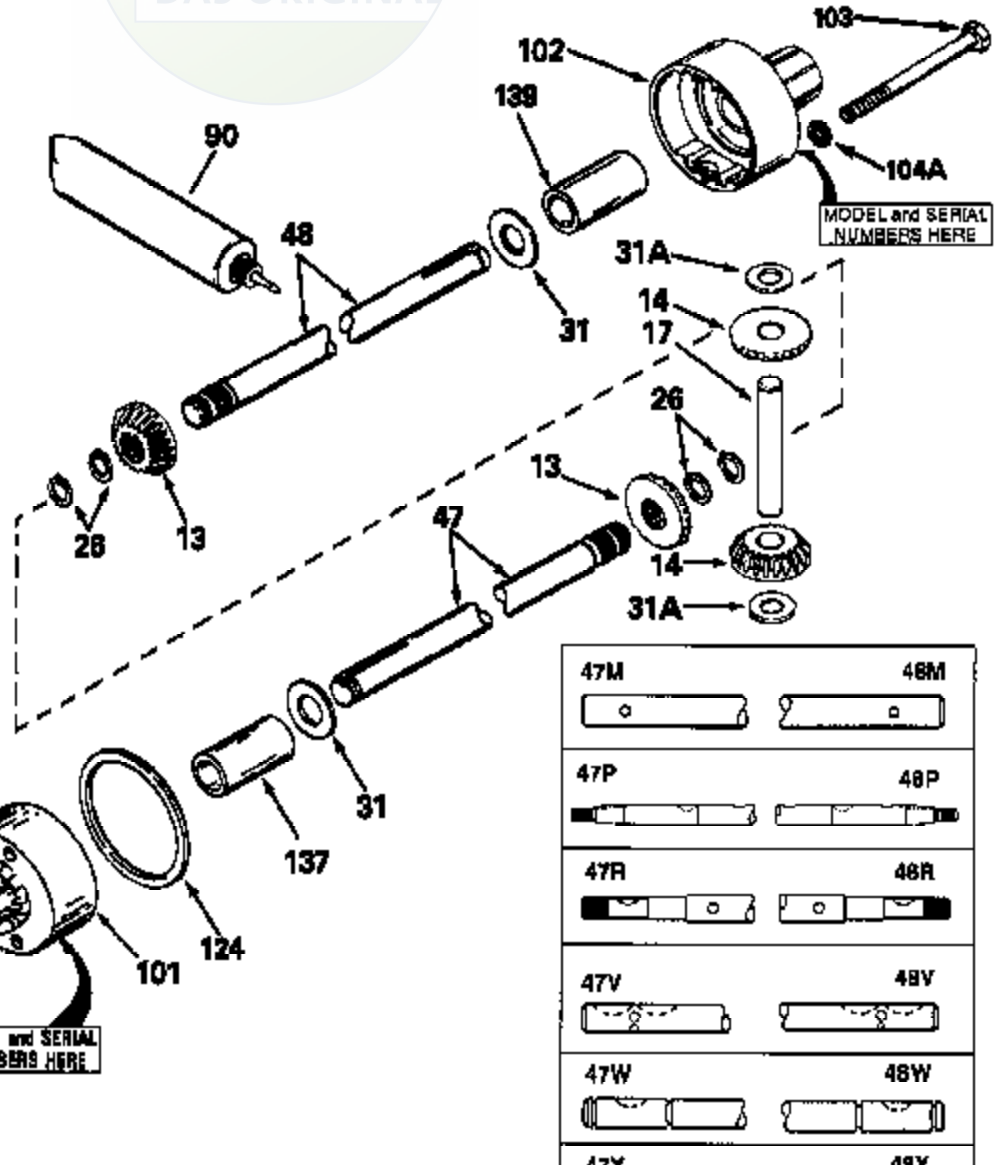
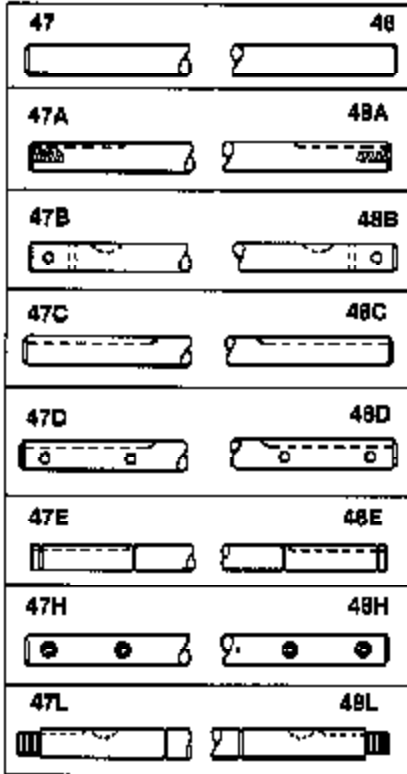


JOIST

SICHER IST DAS:
DAS ORIGINAL





| Ref # | Part Number | Qty | Description |
|-------|-------------|----------------------|--|
| 13 | 778221 | | Gear, Bevel (16 teeth) |
| 14 | 778068 | | Gear, Pinion (16 teeth) |
| 17 | 786040 | | Pin, Drive |
| 26 | 792125 | | Ring, Retaining (4 required) (Pkg. of 2) |
| 31 | 780001 | | Washer (3/4" ID x 1-1/2" OD x 1/16" t hick) |
| 31A | 780096 | | Washer, Thrust |
| 47M | 774816 | | Axle (10" long) |
| 48M | 774817 | | Axle (18-5/8" long) |
| 82 | 786043 | | Sprocket. No Teeth 54. O.D. 8.823 |
| 82 | 786051 | | Sprocket. No Teeth 60. O.D. 9.841 |
| 82 | 786070 | | Sprocket. No Teeth 48. O.D. 7.920 |
| 82 | 786041A | | Sprocket. No Teeth 45. O.D. 7.389 |
| 82 | 786042 | | Sprocket. No Teeth 40. O.D. 6.650 |
| 90 | 788067B | 100-195A Peerless | Grease (32 oz. bottle Bentonite greas e) |
| 101 | 774344 | | Differential Carrier Hsg (Incl. 137) |
| 102 | 774345 | | Differential Carrier Hsg (Incl. 139) |
| 103 | 792041 | | Screw, 5/16-18 x 3-3/4" |
| 104 | 792042 | | Nut, Lock, 5/16-18 (Use as required) |
| 104A | 792061 | | Washer, Flat, 5/16" |
| 137 | 780077 | | Bushing (3/4" ID x 1-1/16" OD x 2-1/1 6" long) |
| 139 | 780077 | | Bushing (3/4 ID x 1-1/16" OD x 2-1/16 " long) |